


IMPORTANT

USER INSTRUCTIONS

VERSAPAK DOPING CONTROL KIT *FOR URINE*

INTRODUCTION

User instructions for doping control officers (DCO); **CLOSING** the Versapak Doping Control Kit *for Urine*.

 Please read all instructions carefully.

 www.versapak-anti-doping.com

INDICATIONS FOR USE

- The Versapak Doping Control kit is to be used by approved, authorised Doping Control Officers and Laboratories as per the 'International Standards for Testing and Investigations (ISTI)'.
- The Versapak Doping Control kit is to be used for 'tamper evident' storage and transportation of human specimens (Urine).
- The Versapak Doping Control kit is to be used in accordance with this user instruction manual.

PRIOR TO USE

Check the packaging label 'Use By' date. **Do not** use this product if the date has passed.



WARNING: This product is supplied with a void label. If there is any evidence that the box void label had been opened or tampered with, **do not continue to use the kit**, contact your organisation manager for instructions.

CONTENTS

Please check the contents and ensure the kit is intact.

1. Two 'tamper evident' security canisters, bases and lids (one blue, one red, uniquely numbered)
2. Two urine bottles with matching numbers with colour coded screw caps (one red, one blue)
3. Two 'tamper evident' security labels to reseal packaging
4. Two leak-proof bags and absorbent pads
5. User instructions
6. 8x barcode labels



i **IMPORTANT:** The box packaging must not be disposed of. It will be used again to send the samples to the laboratory.

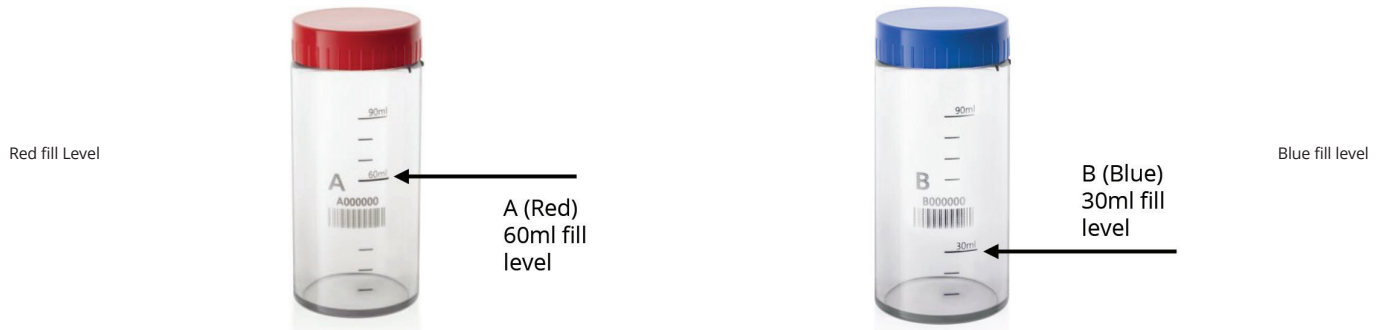
• Please ensure that all kit components have matching serial numbers

1. On the base and lid of the canisters
2. On the bottle



GETTING STARTED

- Collect the urine sample according to Annex D of the ISTI, pour the contents into the sample bottles
- Fill the bottles to the required volume. Gradient markings are shown on the bottles.

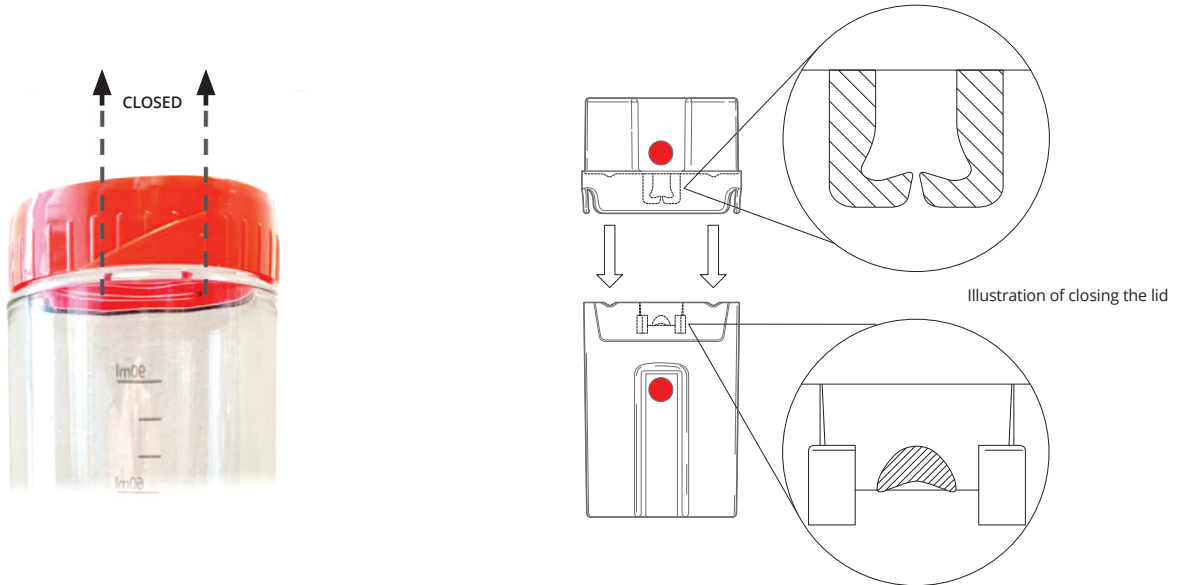


N.B. Partial sample collection

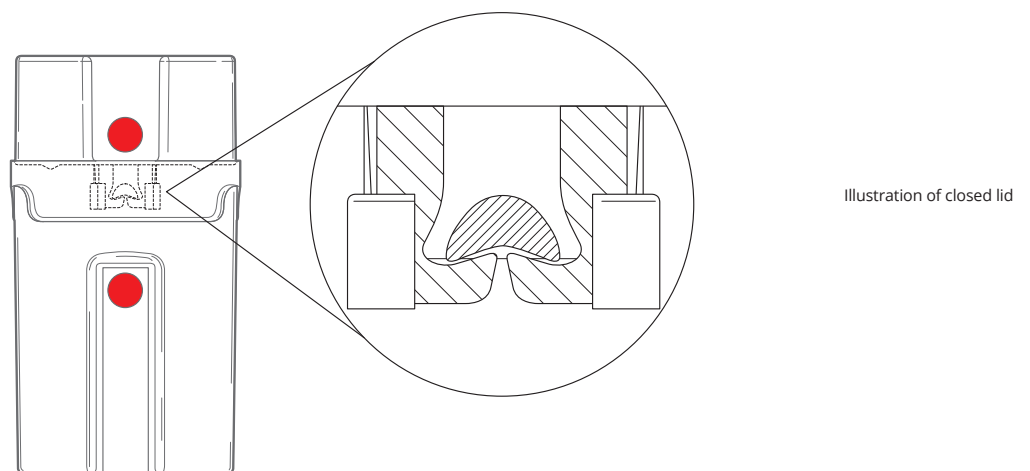
i If an athlete cannot provide the required amount of urine, a partial sample needs to be temporarily collected by using the Versapak Reseal Kit.

CLOSING

1. Close the bottles with the screw cap, making sure you firmly tighten the cap. Make sure the gradient indicator slots between the markers on the bottle
2. Place each bottle into their corresponding canister base. A (Red) inside red canister, B (Blue) inside blue canister
3. While using a flat surface, place corresponding canister lids (Red/Blue) over the canister bases. Line up the coloured dots. With the palm of your hand, press firmly down until you CLEARLY hear the closing clicks

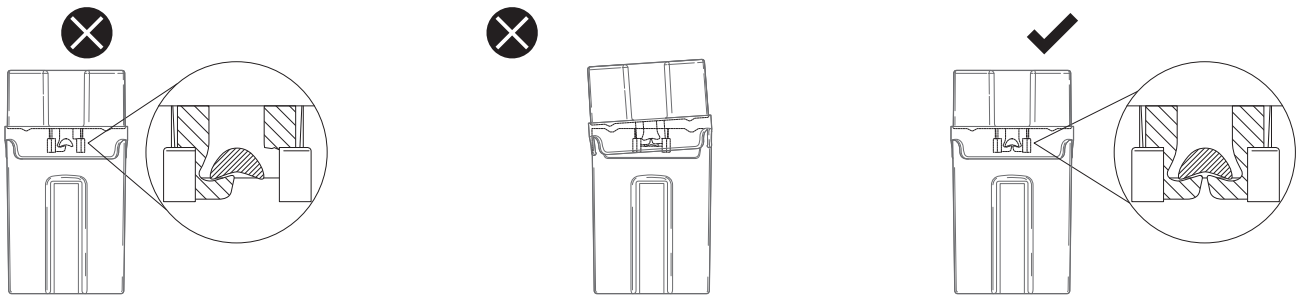


4. Check both sides of the canister and ensure the locking legs are in place
5. Pull gently on the lid and base to check they are locked evenly



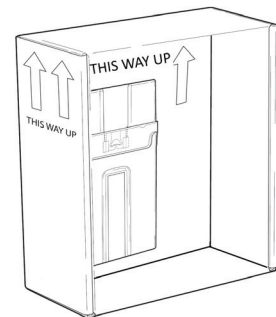


WARNING. The following illustrates incorrect locking. Ensure your locking mechanism is correctly in position and all legs are in place.



Your Versapak 'tamper evident' canister is now secure and ready for storage/transport.

- Insert canisters into the leak-proof bags with absorbent pads and place back inside the box. Use the enclosed "V" fold card for securing the canister from movement during transit
- Close and seal the box with the tamper evident label provided so it is ready for transportation



"V" fold card & upright indicators

PLEASE NOTE these instructions supersede any previous versions.

V.5

versapak[®]
Doping Control Limited

Versapak Doping Control Ltd. 4 Veridion Way, Erith, Kent DA18 4AL

Tel: +44 (0)20 8333 5320

Email: info@versapak-anti-doping.com

versapak-anti-doping.com